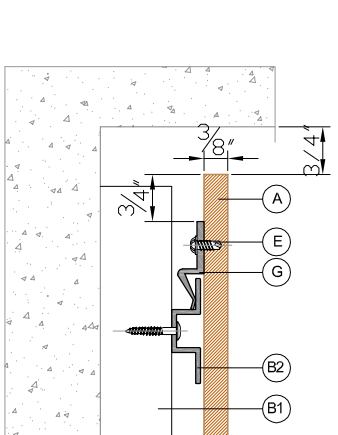
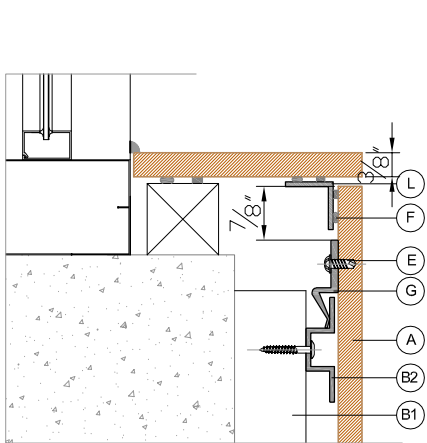


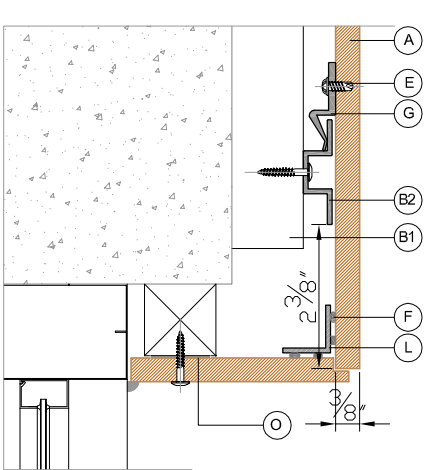
1



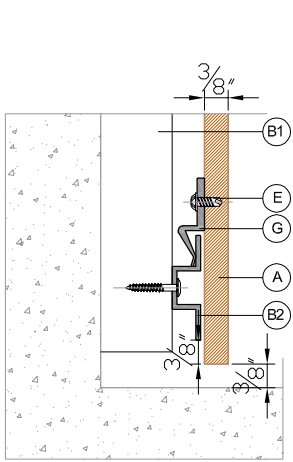
3



2



4



A	Parklex Interior
B1	Vertical profile
B2	Special interior guide profile
B3	Wood batten
E	Screw
F	Adhesive
G	Interior Hanger clip
□	EPDM

Measures in inches

Parklex[®]

Producto / Product: Parklex[®]500 Parklex[®]700	N° Plano / Plan #: INT-500-700-DSC-01-US	Escala / Scale:	Fecha / Date: 2009.05.11
Plano / Plan: Hanger system details for Interior Parklex			