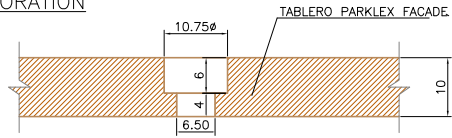
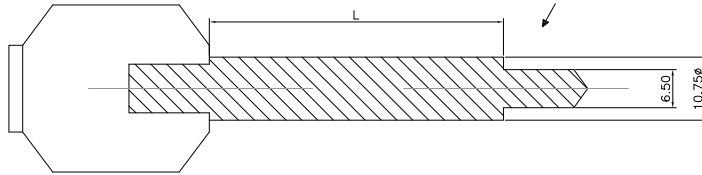


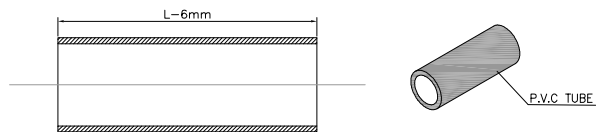
PERFORATION



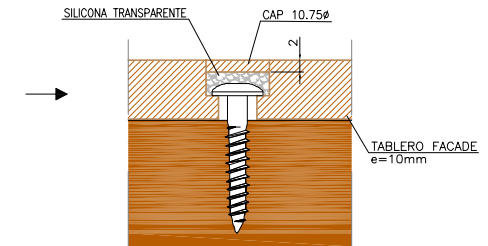
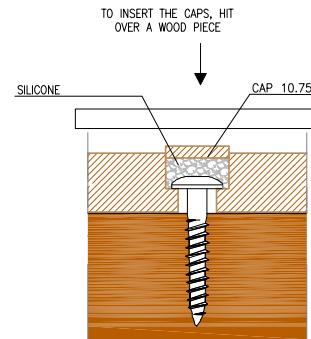
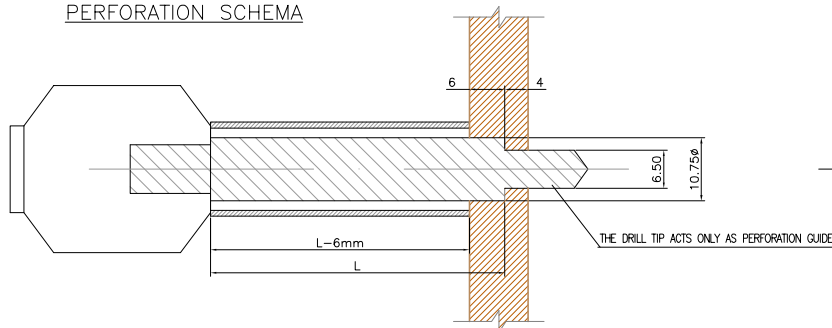
SPECIAL DRILL



PVC TUBE FOR PERFORATION DEPTH LIMITATION



PERFORATION SCHEMA



Cotas en mm / Measures in mm

**Parklex®**

Producto / Product: <b>Parklex® Facade</b>	N° Plano / Plan #: <b>EXT-FAC-MSTP-02</b>	Escala / Scale:	Fecha / Date: <b>21.10.2008</b>
Plano / Plan: <b>Drilling and mounting process for capped system</b>			