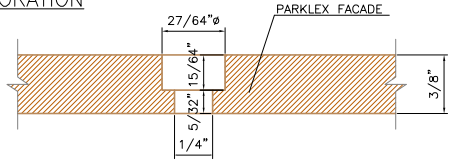
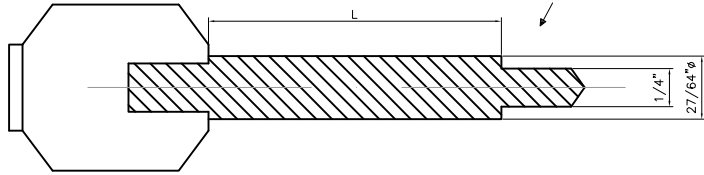


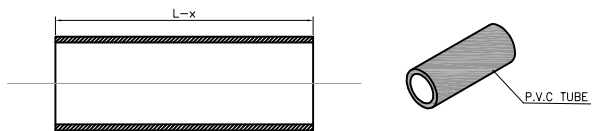
PERFORATION



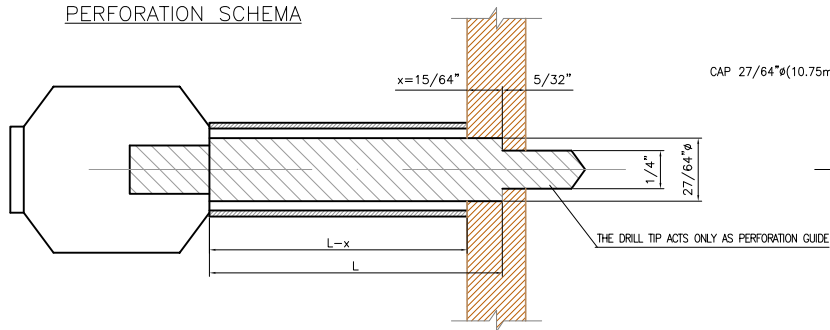
SPECIAL DRILL



PVC TUBE FOR PERFORATION DEPTH LIMITATION



PERFORATION SCHEMA

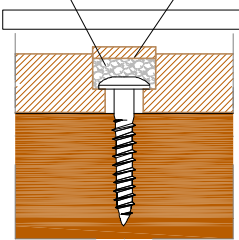


TO INSERT THE CAPS, HIT OVER A WOOD PIECE

CAP 27/64" (10.75mm)

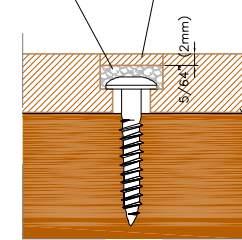
SILICONE

CAP 27/64" (10.75mm)



SILICONE

CAP 27/64" (10.75mm)



Measures in inches

Parklex[®]

Producto / Product: Parklex[®] Facade	N° PLano / Plan #: EXT-FAC-MSTP-02-US	Escala / Scale:	Fecha / Date: 2009.05.11
Plano / Plan: Drilling and mounting process for capped system			